



# Telescopic Aluminum Fly Forms

**The bigger, higher and more complex the project, the more Hi-Lite Telescopic Aluminum Fly Forms help you complete it on time and under budget.**

The Fly Form is a modular component system assembled into rugged adjustable aluminum trusses, using standard aluminum beams and a range of compatible custom designed accessories. With an average weight of only eight pounds per square foot it permits a much larger surface area as compared to steel. Your workers' productivity soars.



## The more floors, the more time you save

Ease of movement and reusability means faster turnaround time. It's ideal for multiple stories, large bay shopping malls and below grade structures.

The telescopic component design means the system easily adjusts for differing floor heights. The bigger and more complex the project, the better our product is for you!

## Ideal for bridges, overpasses and tunnels

The more shoring heights increase, the more valuable the higher strength and load-bearing capacity becomes.

The telescopic feature of our fly form allows for quick height extensions of up to two feet. It also reduces the cost of filler strips and minimizes material wastage by being able to easily move the form up against one wall and only use filler strips on the other side. You will also save time with wedges that replace time-consuming flip screw-jacks.



## Reduce crane time

Fly and drop. The crane sets the frame down on blocks near the desired location. Our hydraulic jack dollies then go to work, helping position the form precisely in just minutes, even under edge beams. The crane is released far sooner for other work. Lower down time means on time completion at lower cost.

Lighter sized frames may not require a crane at all – an impossibility with steel or wood.

## Reduce labour and material costs

The system uses standard modular components for ease of assembly and disassembly. The reduced labour and crane time speeds up the entire construction process. You increase productivity, profits and customer satisfaction.

**Experience the Hi-Lite Advantage**

**Call 1-877-HILITE-1 (1-877-445-4831) to request a demonstration of our Hi-Lite Aluminum Systems.**

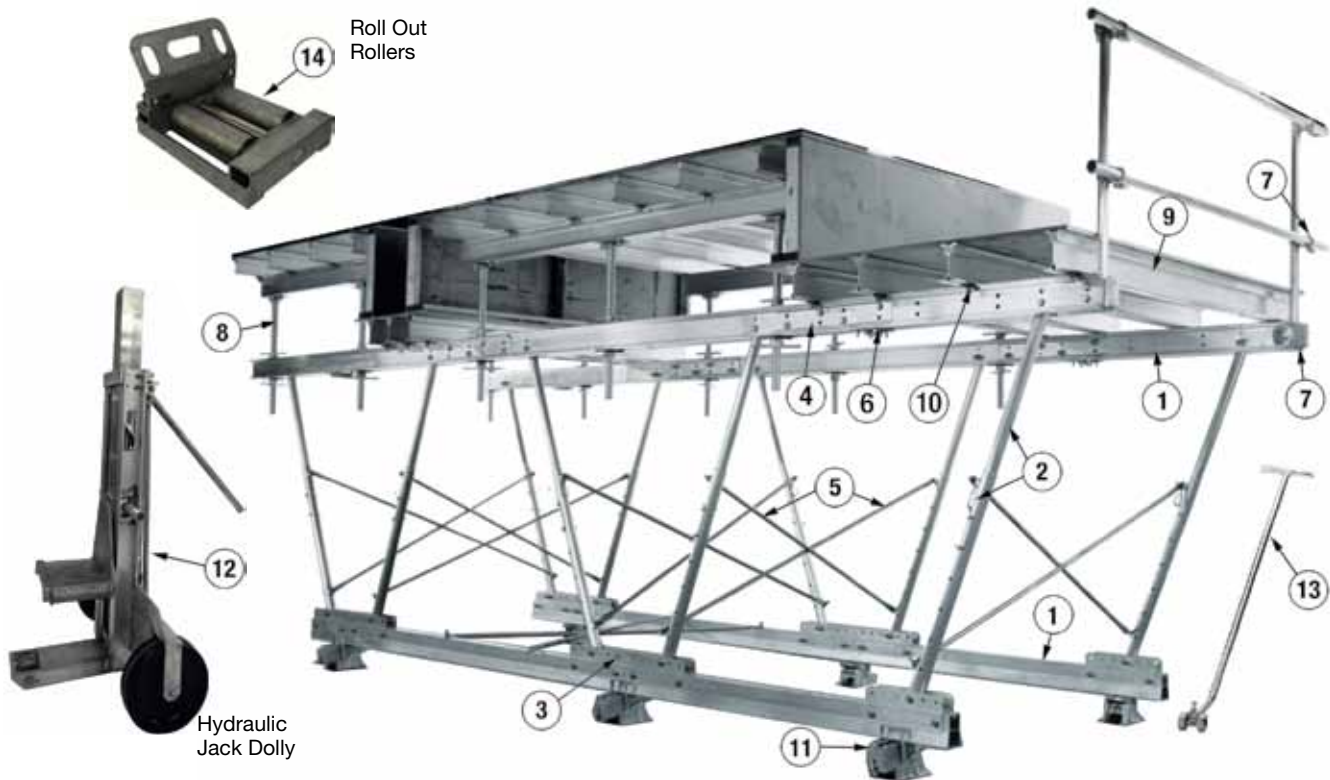
**Shoring Frames - Fly Forms - Wall Forms - Access Trusses - Aluminum Beams - Post Shores - Scaffolding**



# Telescopic Aluminum Fly Forms

## Product Highlights

- Ideally suited for multiple stories, large bay structures, bridges, overpasses and tunnels.
- Significantly reduces crane time.
- Telescopic feature easily adjusts for differing floor heights.
- Modular components reduce skilled labour cost.
- Lightweight and easy to handle—means increased productivity.



- |                                     |                                  |
|-------------------------------------|----------------------------------|
| 1. Top and Bottom Chords            | 10. Beam Clips With T-Head Bolts |
| 2. Telescopic Struts & Support Pins | 11. Wedge Units                  |
| 3. H-Section                        | 12. Hydraulic Jack Dolly         |
| 4. Top Chord Splice Plates          | 13. Form Movers                  |
| 5. Cross Braces                     | 14. Roll Out Rollers             |
| 6. Pick Brackets                    |                                  |
| 7. Guard Rail Post Holders          |                                  |
| 8. Top Chord Screw Jacks            |                                  |
| 9. Joist Beams                      |                                  |

For more details visit [www.hi-lite-systems.com/flyform](http://www.hi-lite-systems.com/flyform)

Contact us for engineering data including maximum loads for strength to weight ratios, load capacities, quality control specifications and other technical data.

**HI-LITE SYSTEMS**

1680 Bonhill Rd., Mississauga, Ontario L5T 1C8  
Tel: (905) 677-4032 | Toll-free: 1-877-HILITE-1 (1-877-445-4831)  
[www.hi-lite-systems.com](http://www.hi-lite-systems.com) | [hilite@hi-lite-systems.com](mailto:hilite@hi-lite-systems.com)